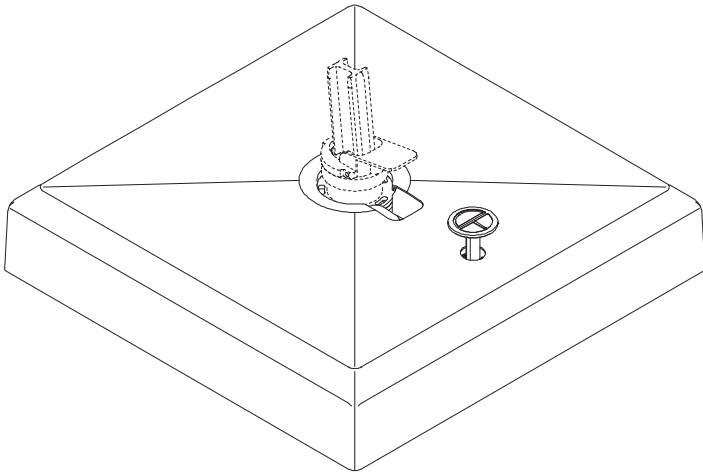


BASE-13R

Cantilever Rolling Base

Assembly and Operation Guide









Thank you for purchasing Treasure Garden's Cantilever Rolling Base.

Please remove all contents from the package, inspect and review parts list.

CAUTION: To reduce personal injury and damage to your base or umbrella, read and follow this instruction manual. We recommend a two-person team for assembly and disassembly. *Save information for future reference.*

BASE-13R PART LIST

Part		Description	Qty.
①		Base Cover	1
②		Steel Base Frame with wheels	1
③		Add-On Weight Containers	4
④		Pedal	1
⑤		All-Purpose Sand (not included)	230 lbs.
⑥		Water (not included)	2 gallons

IMPORTANT:

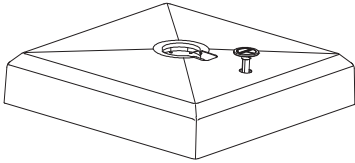
- Allow ample height to avoid damage to your umbrella during assembly and usage.
- Choose a location that is level and sturdy.
- Avoid any sloping or soft ground.

NOTE: Some parts may be included in the styrofoam packaging. DO NOT discard any packaging or box until assembly is complete.

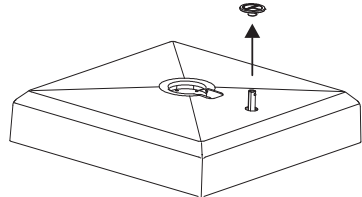
CAUTION: Make sure fingers, toes and any other parts of the body are clear from under the base when operating base foot pedal. Failing to do so may result in serious injury.

STEP 1 Base Assembly

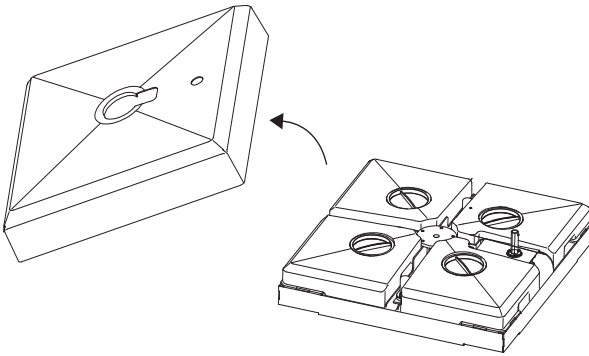
Select area to assemble base. Using a two-person team, lift base from carton and place base in desired location (Fig. 1). **CAUTION:** Avoid fingers getting caught under base! Press the spring loaded lock located under foot pedal to remove pedal and set aside (Fig. 2). Remove base lid from base frame and set aside (Fig. 3). Remove (4) add-on weight containers from base frame (Fig. 4).



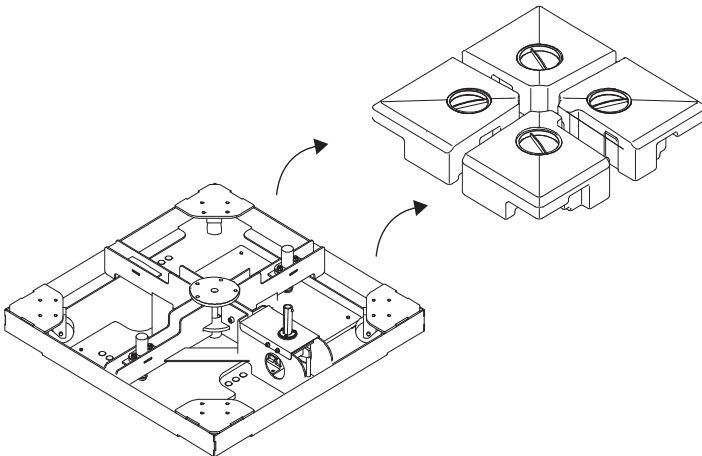
(Fig. 1)



(Fig. 2)



(Fig. 3)

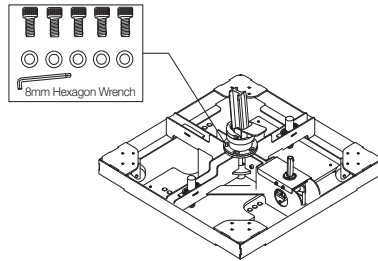


(Fig. 4)

Remove rotating hub from the main frame (sold separately) by removing the (2) bolts and (2) washers (Fig. 5) from lower backside of umbrella. Set aside bolts and washers for later use. Now, place rotating hub onto base frame and secure with supplied (5) hub bolts and washers included with umbrella (Fig. 6).



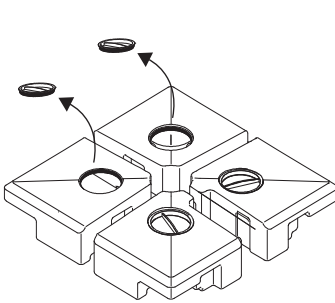
(Fig. 5)



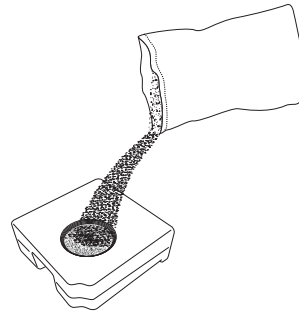
(Fig. 6)

IMPORTANT: Containers hold up to 230 lbs. of sand. To achieve minimum base weight, it is necessary to pack sand into all areas of each container and add water.

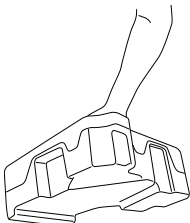
Remove cap from add-on weight container (Fig. 7). Fill container with 1/2 a bag of sand, approximately 25 lbs. (Fig. 8). Tilt container on its side (Fig. 9) and pack sand deep into corners while container is tilted (Fig. 10). Add 1/4 gallon of water. Once water sinks into sand, pack sand down again. Add remaining bag of sand to container, while continuing to pack sand down. Add another 1/4 gallon water to container. Once water sinks into sand, add additional sand to container until full. Remove/clean excess sand from container cap and threads. Secure cap on container. Repeat process with each container.



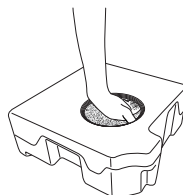
(Fig. 7)



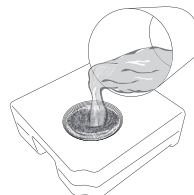
(Fig. 8)



(Fig. 9)

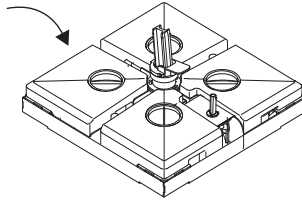


(Fig. 10)



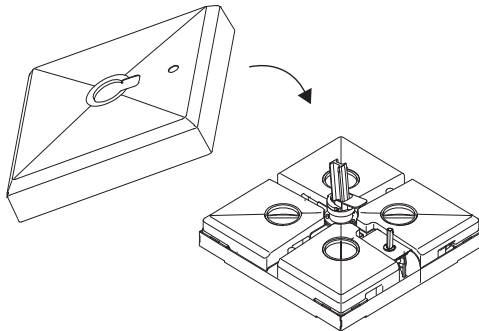
(Fig. 11)

Place each add-on weight container back into base frame sections (Fig. 12). **Note:** Add-on weight containers only fit one direction.

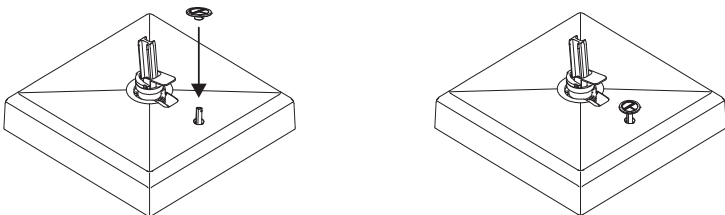


(Fig. 12)

Carefully place base lid onto base frame (Fig. 13). Re-attach foot pedal (Fig. 14). Your base is now ready for umbrella installation. Please refer to umbrella manual for installation instructions. **NOTE:** You may roll assembled base to desired location prior to installing umbrella onto base. Proceed to Step 2 for instructions how to operate base.



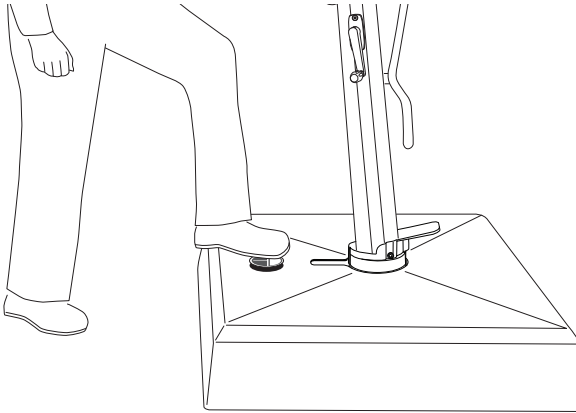
(Fig. 13)



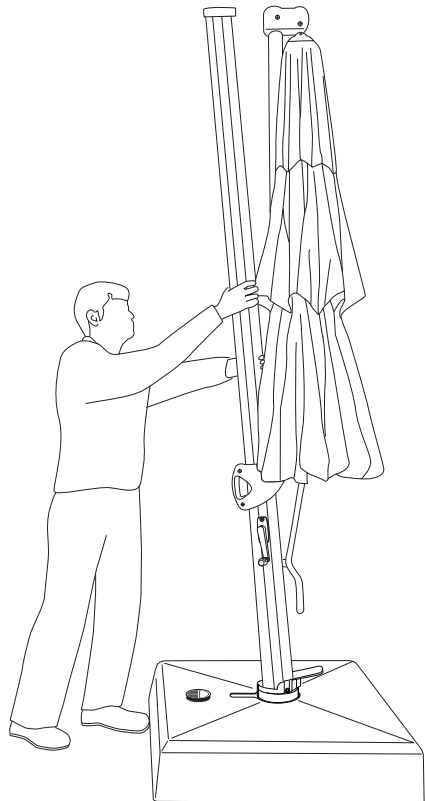
(Fig. 14)

STEP 2 Operating Rolling Base

To move your base/umbrella to a new desired location, firmly step down on the base foot pedal to unlock base wheels (Fig. 15). Roll base to new location (Fig. 16). Firmly step down on foot pedal again to lock wheels and position in place (Fig. 15).



(Fig. 15)



(Fig. 16)

WARRANTY:

Treasure Garden warrants this product (in residential use) to be free from defects in original materials and workmanship for a period of 2 year from the date of purchase. If a defect in the original material or workmanship appears during the warranty period; Treasure Garden will (at its option) repair or replace the product without charge.

Simply contact your original authorized Treasure Garden dealer with a description of the defect. The dealer will verify the defect and work closely with Treasure Garden to obtain the necessary service. In many cases, simple problems can be solved with a replacement part that can be shipped directly to the dealer for professional installation / repair.

In the event that warranted factory service is required, Treasure Garden will assume the responsibility of the return

freight charges on warranted product for the first year only.

Returned product that (upon receipt and inspection) is deemed to be "not covered" under our warranty, will be shipped / billed at your expense.

This warranty gives you specific legal rights, and you may have other rights which vary from state to state.

RUST: Rust is a natural part of the aging process of steel or iron based materials, and is therefore NOT considered a defect.

NOTE: Failure caused by unreasonable or abusive use, or failure caused by neglect of reasonable and necessary care are not covered by this warranty.

Additionally, acts of nature (including but not limited to wind, hurricanes, tornadoes, and storms) are not covered by this warranty.



www.treasuregarden.com

©2019 Treasure Garden, Inc. - All Rights Reserved.

Rev. 10/19